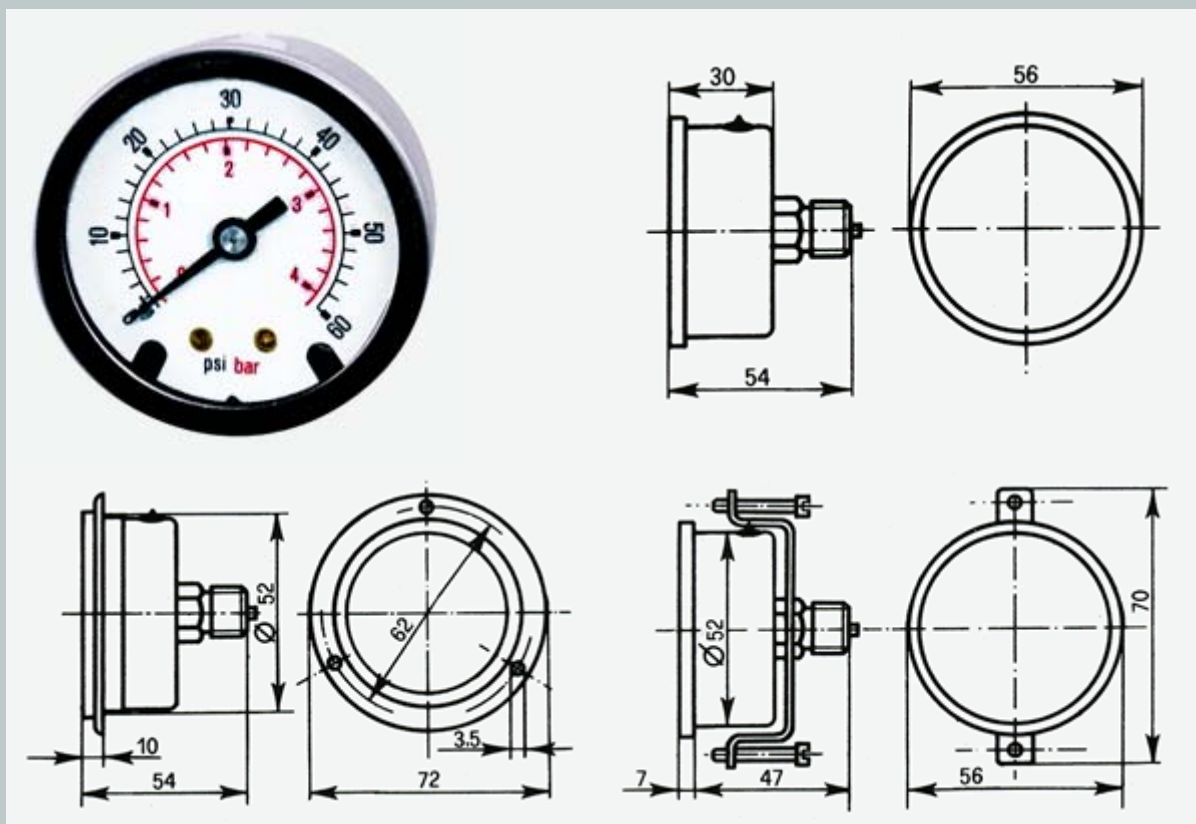


PRESSURE GAUGES - GLYCERINE FILLED BACK CONNECTION - STAINLESS STEEL CASED

APPLICATION : Measurement of the pressure of fluid liquids or gases up to 25 bar that are not highly viscous, subject to crystallisation or corrosive to copper or tin alloys. Particularly suitable for applications where oscillating or surge pressures are present and for mounting on equipment subject to severe vibration. Designed for panel mounting bracket or 3 hole mounting flange.

SPECIFICATION : **Case and bezel :** stainless steel AISI 304. **Window :** shatter resistant acrylic. **Damping Liquid:** bidistilled glycerine. **Connection :** brass. **Sensitive element :** Copper alloy Bourdon tube; phosphor bronze for pressure from 100 to 690 bar. **Mechanism :** high precision watchmakers brass. **Joints :** soldered in tin alloy or silver alloy for pressure above 60 bar. **Indicator :** tempered steel. **Dial :** stoved enamel on aluminium. **Accuracy :** class 2.5. **Scale :** dual psi (outer) + bar (inner).

PRICES : Please note that prices shown are the current list price for each gauge or product. OEM and re-seller discounts are available together with progressive quantity discounts.



63mm (2 1/2") diameter, 1/4" BSP parallel thread, Dual Scale : psi+bar.

Code 904 980 00	Vacuum -30"Hg	(-1 bar)	£ 18.30
Code 904 980 01	Range 15 psi	(1 bar)	£ 18.30
Code 904 980 04	Range 30 psi	(2 bar)	£ 13.75
Code 904 980 08	Range 60 psi	(4 bar)	£ 13.75
Code 904 980 10	Range 100 psi	(7 bar)	£ 13.75
Code 904 980 20	Range 160 psi	(11 bar)	£ 13.75
Code 904 980 21	Range 200 psi	(14 bar)	£ 13.75
Code 904 980 30	Range 300 psi	(21 bar)	£ 14.45
Code 904 980 40	Range 400 psi	(28 bar)	£ 14.45
Code 904 980 50	Range 600 psi	(41 bar)	£ 15.75
Code 904 980 60	Range 1000 psi	(70 bar)	£ 15.75
Code 904 980 70	Range 1500 psi	(103 bar)	£ 15.75
Code 904 980 75	Range 2000 psi	(138 bar)	£ 15.75
Code 904 980 80	Range 2500 psi	(172 bar)	£ 15.75
Code 904 980 85	Range 3000 psi	(207 bar)	£ 15.75
Code 904 980 90	Range 4000 psi	(275 bar)	£ 15.75
Code 904 980 95	Range 5000 psi	(345 bar)	£ 15.75
Code 904 981 00	Range 6000 psi	(414 bar)	£ 15.75
Code 904 981 10	Range 10000 psi	(690 bar)	£ 19.95

Panel Mounting Bracket

This gauge can be supplied with a **panel mounting bracket**.
Please add the letter "**S**" to order code.

Additional price for bracket

Ø 63 £1.50 Code 914 990 01

Stainless Steel 3 Hole Front Flange

This gauge can be supplied with a **3 hole front flange**.
Please add the letter "**F**" to order code.

Additional price for front flange

Ø 63 £3.25 Code 914 990 00

cewal UK LTD

Unit 4C • Woodhall Business Park • Sudbury • Suffolk • CO10 1WH

Tel: +44 (0) 1787 882038 • Fax: +44 (0) 1787 882039

Email: info@cewal.co.uk • Website: www.cewal.co.uk