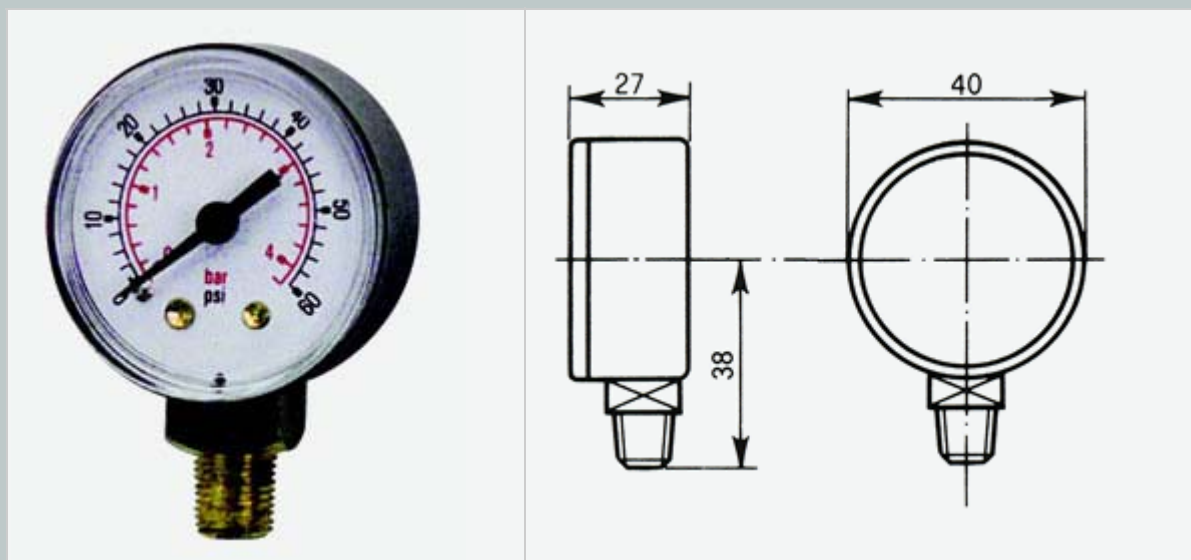


PRESSURE GAUGES - BOTTOM CONNECTION - DRY

APPLICATION : Measurement of the pressure of fluid liquids or gases upto 25 bar that are not highly viscous, subject to crystallisation or corrosive to copper or tin alloys.

SPECIFICATION : **Case** : impact resistant ABS. **Window** : shatter resistant acrylic. **Connection** : brass. **Sensitive element** : sealed copper alloy Bourdon tube. **Mechanism** : high precision watchmakers brass. **Joints** : soldered with tin alloy. **Indicator** : ABS. **Dial** : stoved enamel on aluminium. **Accuracy** : class 2.5. **Scale** : dual psi (outer) + bar (inner)

PRICES : Please note that prices shown are the current list price for each gauge or product. OEM and re-seller discounts are available together with progressive quantity discounts.



40mm (1 1/2") diameter, 1/8" BSP tapered thread, Dual Scale : psi+bar

Code 904 410 00	Vacuum -30"Hg	(-1 bar)	£ 6.95
Code 904 410 10	Range 15 psi	(1 bar)	£ 6.25
Code 904 411 11	Range 30 psi	(2 bar)	£ 5.25
Code 904 412 11	Range 60 psi	(4 bar)	£ 5.25
Code 904 413 11	Range 100 psi	(7 bar)	£ 5.25
Code 904 414 11	Range 160 psi	(11 bar)	£ 5.25
Code 904 414 21	Range 200 psi	(14 bar)	£ 5.25
Code 904 416 11	Range 300 psi	(21 bar)	£ 5.50

cewal UK LTD

Unit 4C • Woodhall Business Park • Sudbury • Suffolk • CO10 1WH

Tel: +44 (0) 1787 882038 • Fax: +44 (0) 1787 882039

Email: info@cewal.co.uk • Website: www.cewal.co.uk