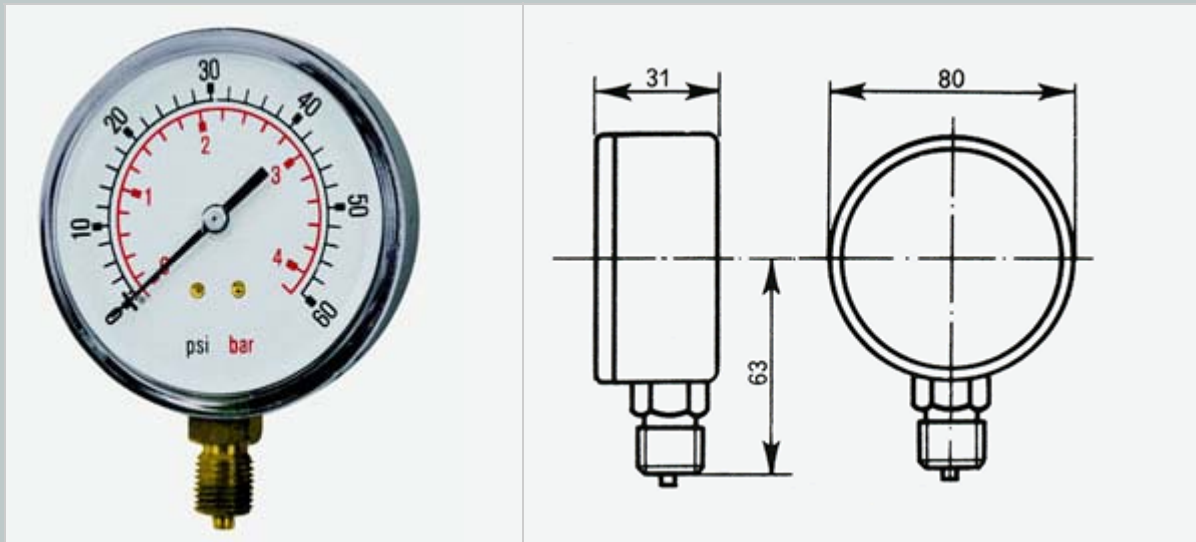


PRESSURE GAUGES - BOTTOM CONNECTION - DRY

APPLICATION : Measurement of the pressure of fluid liquids or gases up to 25 bar that are not highly viscous, subject to crystallisation or corrosive to copper or tin alloys.

SPECIFICATION : **Case :** ABS. **Window :** shatter resistant acrylic. **Connection :** brass. **Sensitive element :** sealed Bourdon tube in alloy of Copper or chrome-molybdenum steel depending on pressure range. **Mechanism :** high precision watchmakers brass. **Dial :** stoved enamel on aluminium. **Accuracy :** class 2.5. **Scale :** psi (outer) + bar (inner).

PRICES : Please note that prices shown are the current list price for each gauge or product. OEM and re-seller discounts are available together with progressive quantity discounts.



80mm (3") diameter, 1/4" BSP parallel thread, Dual Scale : psi+bar

Code 904 830 10	Vacuum -30"Hg	(-1 bar)	£ 15.25
Code 904 830 11	Range 15 psi	(1 bar)	£ 15.25
Code 904 831 10	Range 30 psi	(2 bar)	£ 12.95
Code 904 832 10	Range 60 psi	(4 bar)	£ 12.95
Code 904 833 10	Range 100 psi	(7 bar)	£ 12.95
Code 904 834 10	Range 160 psi	(11 bar)	£ 12.95
Code 904 834 21	Range 200 psi	(14 bar)	£ 12.95
Code 904 835 11	Range 300 psi	(21 bar)	£ 13.25
Code 904 836 10	Range 400 psi	(28 bar)	£ 13.25
Code 904 837 10	Range 600 psi	(41 bar)	£ 15.95
Code 904 838 00	Range 1000 psi	(70 bar)	£ 15.95
Code 904 838 10	Range 1500 psi	(103 bar)	£ 15.95
Code 904 838 20	Range 2500 psi	(172 bar)	£ 15.95
Code 904 838 30	Range 4000 psi	(275 bar)	£ 15.95
Code 904 838 40	Range 6000 psi	(414 bar)	£ 15.95

cewal UK LTD

Unit 4C • Woodhall Business Park • Sudbury • Suffolk • CO10 1WH

Tel: +44 (0) 1787 882038 • Fax: +44 (0) 1787 882039

Email: info@cewal.co.uk • Website: www.cewal.co.uk