

PRESSURE GAUGES - BOTTOM CONNECTION - DRY

APPLICATION : Measurement of the pressure of fluid liquids or gases up to 25 bar that are not highly viscous, subject to crystallisation or corrosive to copper or tin alloys.

SPECIFICATION : **Case :** stainless steel. **Window :** shatter resistant acrylic. **Connection :** brass.
Sensitive element : sealed Bourdon tube in alloy of Copper or chrome-molybdenum steel depending on pressure range. **Mechanism :** high precision watchmakers brass. **Dial :** stoved enamel on aluminium.
Accuracy : class 1. **Scale :** bar (outer) + psi (inner).

PRICES : Please note that prices shown are the current list price for each gauge or product. OEM and re-seller discounts are available together with progressive quantity discounts.



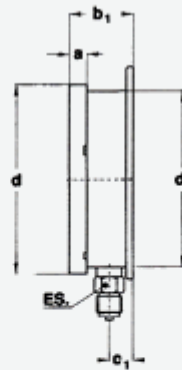
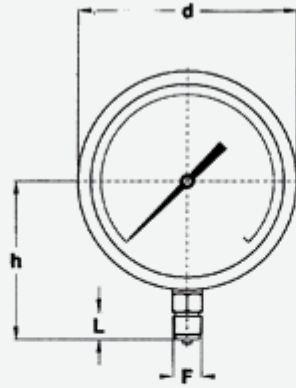
150mm (6") diameter, 1/2" BSP parallel thread, Dual Scale : bar+psi, Stainless steel case/bezel Class 1 accuracy, heavy duty

Code 914 230 10	Vacuum -1 bar	(-30" Hg)	£ 57.95
Code 914 230 11	Range 1 bar	(15 psi)	£ 55.95
Code 914 230 12	Range 1.6 bar	(23 psi)	£ 55.95
Code 914 231 10	Range 2.5 bar	(36 psi)	£ 55.95
Code 914 232 10	Range 4 bar	(58 psi)	£ 51.95
Code 914 233 10	Range 6 bar	(87 psi)	£ 51.95
Code 914 234 10	Range 10 bar	(145 psi)	£ 51.95
Code 914 235 10	Range 16 bar	(232 psi)	£ 51.95
Code 914 236 10	Range 25 bar	(362 psi)	£ 51.95
Code 914 237 10	Range 40 bar	(580 psi)	£ 51.95
Code 914 238 00	Range 60 bar	(870 psi)	£ 64.95
Code 914 238 10	Range 100 bar	(1450 psi)	£ 64.95
Code 914 238 20	Range 160 bar	(2320 psi)	£ 64.95
Code 914 238 30	Range 250 bar	(3625 psi)	£ 64.95
Code 914 238 40	Range 400 bar	(5800 psi)	£ 64.95
Code 914 238 50	Range 600 bar	(8700 psi)	£ 64.95
Code 914 238 70	Range 1000 bar	(14500 psi)	£ 64.95

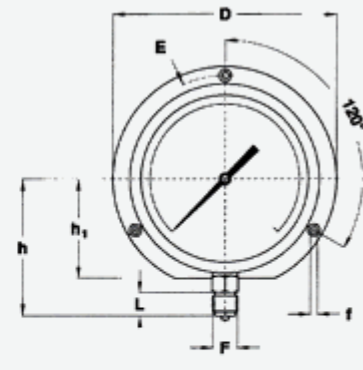
Please add (F) to gauge code for fitted 3 hole steel back flange.
 3 hole back flange - £12.50, Code: 914 989 16



TYPE A
stem mounting;
lower connection.



TYPE C
surface mounting, back flange;
lower connection.



DS	Type	F	a	b	b ₁	c	c ₁	d	d ₁	f	h	h ₁	D	E	L	ES	Weight
150	A-C	1/2" BSP	15	50,5	54	16,5	20	161	149,6	6	118	85	190	175	20	22	1 Kg.

cewal UK LTD

Unit 4C • Woodhall Business Park • Sudbury • Suffolk • CO10 1WH

Tel: +44 (0) 1787 882038 • Fax: +44 (0) 1787 882039

Email: info@cewal.co.uk • Website: www.cewal.co.uk