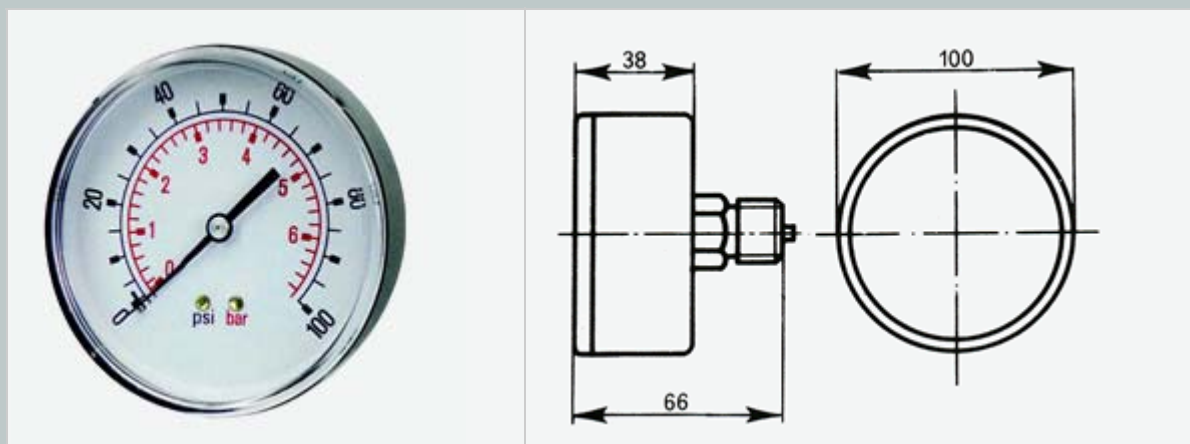


PRESSURE GAUGES - BACK CONNECTION - DRY

APPLICATION : Measurement of the pressure of fluid liquids or gases up to 25 bar that are not highly viscous, subject to crystallisation or corrosive to copper or tin alloys.

SPECIFICATION : **Case** : pressed steel. **Window** : shatter resistant acrylic. **Connection** : brass. **Sensitive element** : sealed Bourdon tube in alloy of copper or chrome-molybdenum steel depending on pressure range. **Mechanism** : high precision watchmakers brass. **Dial** : stoved enamel on aluminium. **Accuracy** : class 2.5. **Scale** : psi (outer) + bar (inner).

PRICES : Please note that prices shown are the current list price for each gauge or product. OEM and re-seller discounts are available together with progressive quantity discounts.



100mm (4") diameter, 3/8" BSP parallel thread, Dual Scale : psi+bar

Code 904 190 13	Vacuum -30"Hg	(-1 bar)	£ 27.25
Code 904 190 14	Range 15 psi	(1 bar)	£ 27.25
Code 904 191 11	Range 30 psi	(2 bar)	£ 24.50
Code 904 192 11	Range 60 psi	(4 bar)	£ 24.50
Code 904 193 11	Range 100 psi	(7 bar)	£ 24.50
Code 904 194 11	Range 160 psi	(11 bar)	£ 24.50
Code 904 194 21	Range 200 psi	(14 bar)	£ 24.50
Code 904 196 10	Range 300 psi	(21 bar)	£ 24.95
Code 904 196 11	Range 400 psi	(28 bar)	£ 24.95
Code 904 197 11	Range 600 psi	(41 bar)	£ 27.95
Code 904 198 00	Range 1000 psi	(70 bar)	£ 27.95
Code 904 198 10	Range 1500 psi	(103 bar)	£ 27.95
Code 904 198 20	Range 2500 psi	(172 bar)	£ 27.95
Code 904 198 30	Range 4000 psi	(275 bar)	£ 27.95
Code 904 198 40	Range 6000 psi	(414 bar)	£ 27.95
Code 904 198 50	Range 10000 psi	(690 bar)	£ 29.95

Please add (S) to gauge code for panel mounting bracket or (F) for fitted 3 hole stainless steel front flange.

Panel mounting bracket - £8.95, Code 914 989 22

3 hole front flange - £12.50, Code 914 989 05

cewal UK LTD

Unit 4C • Woodhall Business Park • Sudbury • Suffolk • CO10 1WH

Tel: +44 (0) 1787 882038 • Fax: +44 (0) 1787 882039

Email: info@cewal.co.uk • Website: www.cewal.co.uk