

## PRESSURE GAUGES - BACK CONNECTION - DRY

**APPLICATION :** Measurement of the pressure of fluid liquids or gases up to 25 bar that are not highly viscous, subject to crystallisation or corrosive to copper or tin alloys.

**SPECIFICATION :** **Case :** stainless steel. **Window :** shatter resistant acrylic. **Connection :** brass.  
**Sensitive element :** sealed Bourdon tube in alloy of copper or chrome-molybdenum steel depending on pressure range. **Mechanism :** high precision watchmakers brass. **Dial :** stoved enamel on aluminium.  
**Accuracy :** class 1. **Scale :** bar (outer) + psi (inner).

**PRICES :** Please note that prices shown are the current list price for each gauge or product. OEM and re-seller discounts are available together with progressive quantity discounts.

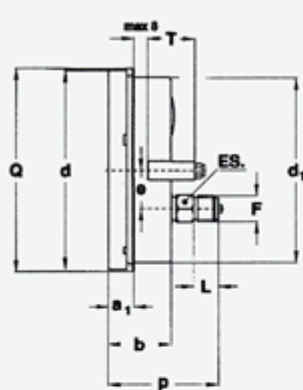


### 150mm (6") diameter, Lower back connection. 1/2" BSP parallel thread, Dual Scale : bar+psi. Stainless steel case/bezel. Class 1 accuracy heavy duty

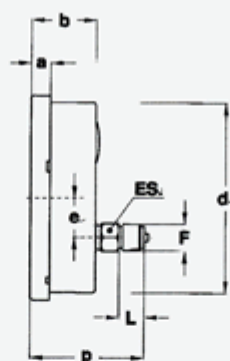
Code 914 290 13	Vacuum -1 bar	(-30"Hg)	£ 59.95
Code 914 290 13	Range 1 bar	(15 psi)	£ 57.95
Code 914 290 15	Range 1.6 bar	(23 psi)	£ 57.95
Code 914 291 11	Range 2.5 bar	(36 psi)	£ 57.95
Code 914 292 11	Range 4 bar	(58 psi)	£ 53.95
Code 914 293 11	Range 6 bar	(87 psi)	£ 53.95
Code 914 294 11	Range 10 bar	(145 psi)	£ 53.95
Code 914 295 11	Range 16 bar	(232 psi)	£ 53.95
Code 914 296 11	Range 25 bar	(362 psi)	£ 53.95
Code 914 297 11	Range 40 bar	(580 psi)	£ 53.95
Code 914 298 00	Range 60 bar	(870 psi)	£ 66.95
Code 914 298 10	Range 100 bar	(1450 psi)	£ 66.95
Code 914 298 20	Range 160 bar	(2320 psi)	£ 66.95
Code 914 298 30	Range 250 bar	(3625 psi)	£ 66.95
Code 914 298 40	Range 400 bar	(5800 psi)	£ 66.95
Code 914 298 50	Range 600 bar	(8700 psi)	£ 66.95
Code 914 298 70	Range 1000 bar	(14500 psi)	£ 66.95

Please add (S) to gauge code for panel mounting bracket or (F) for fitted 3 hole stainless steel front flange.

Panel mounting bracket - £8.95, Code 914 989 22  
 3 hole front flange - £12.50, Code 914 989 05



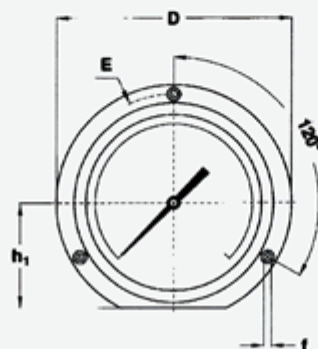
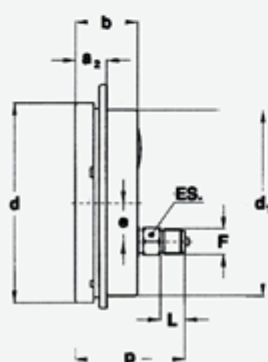
**TYPE B**  
flush mounting, "U" clamp;  
back connection.



**TYPE D**  
stem mounting;  
back connection.



DS	Type	F	a	a <sub>1</sub>	a <sub>2</sub>	b	d	d <sub>1</sub>	e	f	h <sub>1</sub>	p	D	E	Q	T	V	Z	L	ES	Weight
150	B-D-E	1/2" BSP	15	20,5	25,5	50,5	161	149,6	31	6	85	85	190	175	164	41,5	106	155	20	22	0,9 Kg.



**TYPE E**  
flush mounting, front flange;  
back connection.

**cewal** UK LTD

Unit 4C • Woodhall Business Park • Sudbury • Suffolk • CO10 1WH  
Tel: +44 (0) 1787 882038 • Fax: +44 (0) 1787 882039  
Email: [info@cewal.co.uk](mailto:info@cewal.co.uk) • Website: [www.cewal.co.uk](http://www.cewal.co.uk)