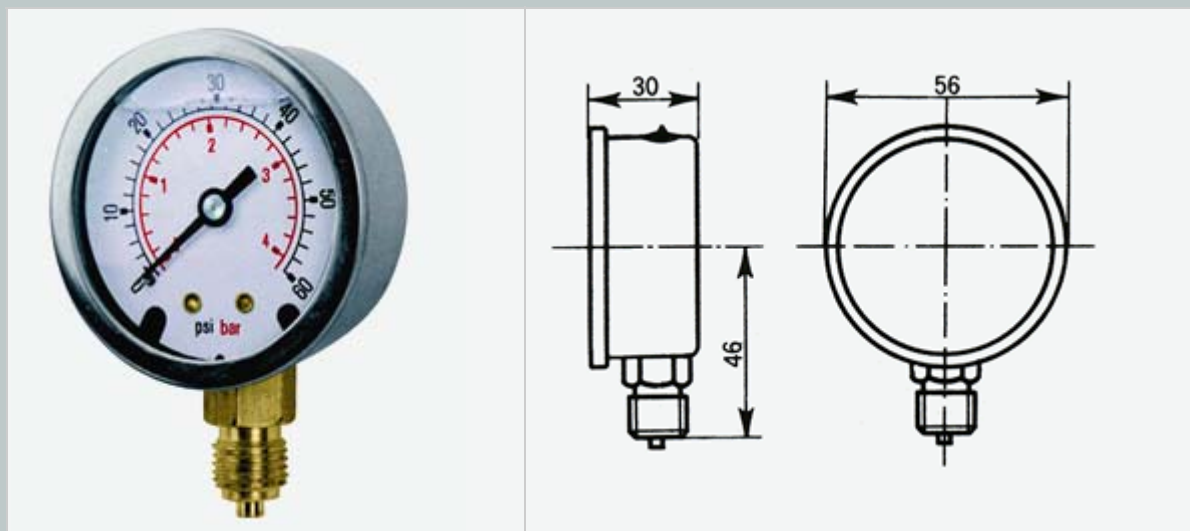


PRESSURE GAUGES - GLYCERINE FILLED BOTTOM CONNECTION - STAINLESS STEEL CASED

APPLICATION : Measurement of the pressure of fluid liquids or gases upto 25 bar that are not highly viscous, subject to crystallisation or corrosive to copper or tin alloys.

SPECIFICATION : **Case and bezel :** stainless steel AISI 304. **Window :** shatter resistant acrylic. **Damping Liquid:** bidistilled glycerine. **Connection :** brass. **Sensitive element :** Copper alloy Bourdon tube; phosphor bronze for pressure from 100 to 690 bar. **Mechanism :** high precision watchmakers brass. **Joints :** soldered in tin alloy or silver alloy for pressure above 60 bar. **Indicator :** tempered steel. **Dial :** stoved enamel on aluminium. **Accuracy :** class 2.5. **Scale :** dual psi (outer) + bar (inner).

PRICES : Please note that prices shown are the current list price for each gauge or product. OEM and re-seller discounts are available together with progressive quantity discounts.



50mm (2") diameter, 1/4" BSP parallel thread, Dual Scale : psi+bar

Code 904 900 00	Vacuum -30"Hg	(-1 bar)	£ 16.75
Code 904 900 01	Range 15 psi	(1 bar)	£ 16.75
Code 904 900 04	Range 30 psi	(2 bar)	£ 13.25
Code 904 900 08	Range 60 psi	(4 bar)	£ 13.25
Code 904 900 10	Range 100 psi	(7 bar)	£ 13.25
Code 904 900 20	Range 160 psi	(11 bar)	£ 13.25
Code 904 900 21	Range 200 psi	(14 bar)	£ 13.25
Code 904 900 30	Range 300 psi	(21 bar)	£ 13.95
Code 904 900 40	Range 400 psi	(28 bar)	£ 13.95
Code 904 900 50	Range 600 psi	(41 bar)	£ 14.60
Code 904 900 60	Range 1000 psi	(70 bar)	£ 14.60
Code 904 900 70	Range 1500 psi	(103 bar)	£ 14.60
Code 904 900 75	Range 2000 psi	(138 bar)	£ 14.60
Code 904 900 80	Range 2500 psi	(172 bar)	£ 14.60
Code 904 900 85	Range 3000 psi	(207 bar)	£ 14.60
Code 904 900 90	Range 4000 psi	(275 bar)	£ 14.60
Code 904 900 95	Range 5000 psi	(345 bar)	£ 14.60
Code 904 901 00	Range 6000 psi	(414 bar)	£ 14.60

cewal UK LTD

Unit 4C • Woodhall Business Park • Sudbury • Suffolk • CO10 1WH
Tel: +44 (0) 1787 882038 • Fax: +44 (0) 1787 882039
Email: info@cewal.co.uk • Website: www.cewal.co.uk