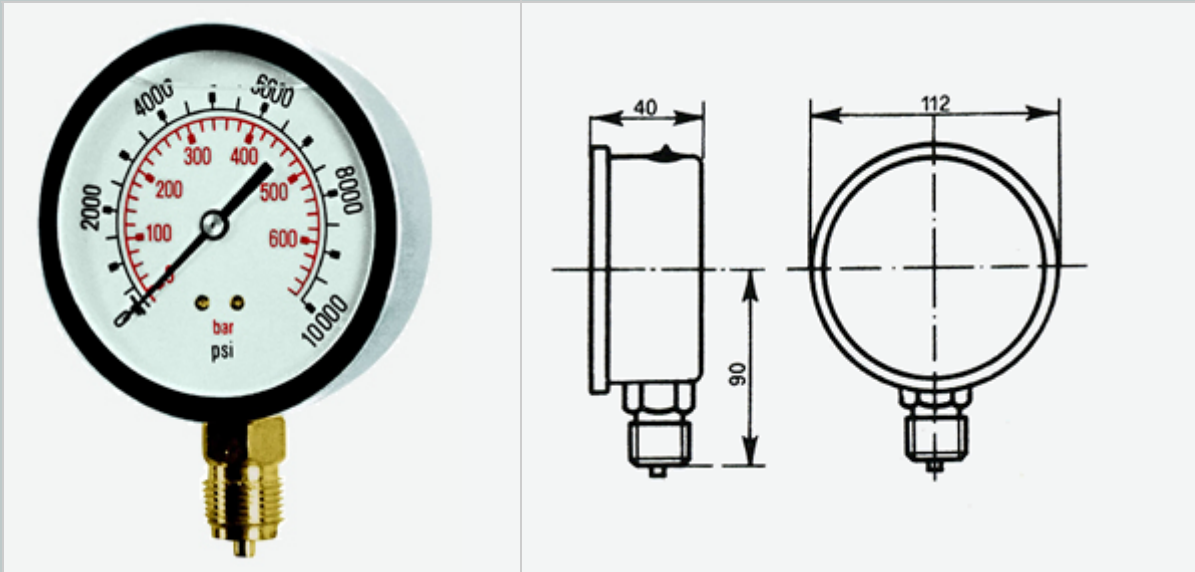


PRESSURE GAUGES - GLYCERINE FILLED BOTTOM CONNECTION - STAINLESS STEEL CASED

APPLICATION : Measurement of the pressure of fluid liquids or gases up to 25 bar that are not highly viscous, subject to crystallisation or corrosive to copper or tin alloys.

SPECIFICATION : **Case and bezel :** stainless steel AISI 304. **Window :** shatter resistant acrylic. **Damping Liquid:** bidistilled glycerine. **Connection :** brass. **Sensitive element :** Copper alloy Bourdon tube; phosphor bronze or chrome molybdenum depending on pressure range. **Mechanism :** high precision watchmakers brass. **Joints :** soldered in tin alloy or silver alloy for higher pressures. **Indicator :** tempered steel. **Dial :** stoved enamel on aluminium. **Accuracy :** class 1.6. **Scale :** dual psi (outer) + bar (inner).

PRICES : Please note that prices shown are the current list price for each gauge or product. OEM and re-seller discounts are available together with progressive quantity discounts.



100mm (4") diameter, 1/2" BSP parallel thread, Dual Scale : psi+bar

Code 904 930 00	Vacuum -30"Hg	(-1 bar)	£ 42.40
Code 904 930 01	Range 15 psi	(1 bar)	£ 42.40
Code 904 930 04	Range 30 psi	(2 bar)	£ 35.25
Code 904 930 08	Range 60 psi	(4 bar)	£ 35.25
Code 904 930 10	Range 100 psi	(7 bar)	£ 35.25
Code 904 930 20	Range 160 psi	(11 bar)	£ 35.25
Code 904 930 30	Range 200 psi	(14 bar)	£ 35.25
Code 904 930 35	Range 300 psi	(21 bar)	£ 36.95
Code 904 930 40	Range 400 psi	(28 bar)	£ 36.95
Code 904 930 50	Range 600 psi	(41 bar)	£ 40.25
Code 904 930 60	Range 1000 psi	(70 bar)	£ 40.25
Code 904 930 70	Range 1500 psi	(103 bar)	£ 40.25
Code 904 930 75	Range 2000 psi	(138 bar)	£ 40.25
Code 904 930 80	Range 2500 psi	(172 bar)	£ 40.25
Code 904 930 85	Range 3000 psi	(207 bar)	£ 40.25
Code 904 930 90	Range 4000 psi	(275 bar)	£ 40.25
Code 904 930 95	Range 5000 psi	(345 bar)	£ 40.25
Code 904 931 00	Range 6000 psi	(414 bar)	£ 40.25
Code 904 931 10	Range 10000 psi	(690 bar)	£ 44.95

Please Note

3/8" BSP thread also available.

Please add (F) to gauge code for fitted 3 hole stainless steel back flange.

3 hole back flange - £7.95, Code 914 989 15

cewal UK LTD

Unit 4C • Woodhall Business Park • Sudbury • Suffolk • CO10 1WH

Tel: +44 (0) 1787 882038 • Fax: +44 (0) 1787 882039

Email: info@cewal.co.uk • Website: www.cewal.co.uk