

## PRESSURE GAUGES - GLYCERINE FILLED BOTTOM CONNECTION - STAINLESS STEEL CASED

**APPLICATION :** Measurement of the pressure of fluid liquids or gases upto 25 bar that are not highly viscous, subject to crystallisation or corrosive to copper or tin alloys.

**SPECIFICATION :** **Case and bezel :** stainless steel AISI 304. **Window :** shatter resistant acrylic. **Damping Liquid:** bidistilled glycerine. **Connection :** brass. **Sensitive element :** Copper alloy Bourdon tube; phosphor bronze or chrome molybdenum depending on pressure range. **Mechanism :** high precision watchmakers brass. **Joints :** soldered in tin alloy or silver alloy for higher pressures. **Indicator :** tempered steel. **Dial :** stoved enamel on aluminium. **Accuracy :** class 1. **Scale :** bar (outer) + psi (inner).

**PRICES :** Please note that prices shown are the current list price for each gauge or product. OEM and re-seller discounts are available together with progressive quantity discounts.

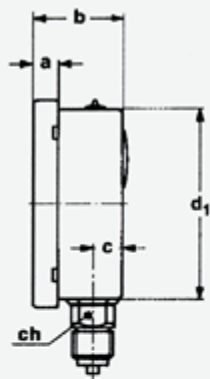


150mm (6") diameter, 1/2" BSP parallel thread, Dual Scale : bar+psi. All stainless steel construction, Class 1 accuracy.

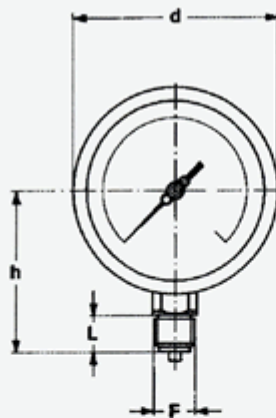
Code 915 800 00G	Vacuum -1 bar	(-30"Hg)	£ 86.45
Code 915 801 01G	Range 1 bar	(15 psi)	£ 84.45
Code 915 802 02G	Range 1,6 bar	(23 psi)	£ 84.45
Code 915 803 04G	Range 2,5 bar	(36 psi)	£ 84.45
Code 915 804 08G	Range 4 bar	(58 psi)	£ 80.45
Code 915 805 10G	Range 6 bar	(87 psi)	£ 80.45
Code 915 806 20G	Range 10 bar	(145 psi)	£ 80.45
Code 915 807 30G	Range 16 bar	(232 psi)	£ 80.45
Code 915 808 40G	Range 25 bar	(362 psi)	£ 80.45
Code 915 809 50G	Range 40 bar	(580 psi)	£ 80.45
Code 915 810 60G	Range 60 bar	(870 psi)	£ 93.45
Code 915 811 70G	Range 100 bar	(1450 psi)	£ 93.45
Code 915 812 80G	Range 160 bar	(2320 psi)	£ 93.45
Code 915 813 90G	Range 250 bar	(3625 psi)	£ 93.45
Code 915 814 00G	Range 400 bar	(5800 psi)	£ 93.45
Code 915 815 10G	Range 600 bar	(8700 psi)	£ 93.45
Code 915 816 30G	Range 1000 bar	(14500 psi)	£ 93.45
Code 915 817 40G	Range 1600 bar	(23200 psi)	£ 93.45

Please add (F) to gauge code for fitted 3 hole stainless steel back flange.

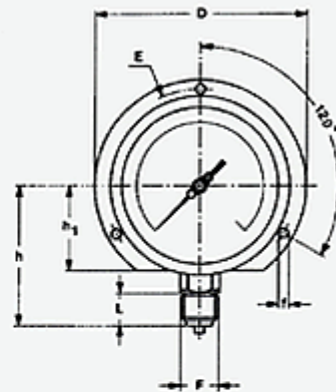
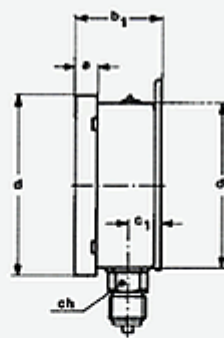
3 hole back flange - £12.50, Code 914 989 16



**TYPE A**  
stem mounting;  
lower connection.



**TYPE C**  
surface mounting, back flange;  
lower connection.



DS	Type	a	b	b <sub>1</sub>	c	c <sub>1</sub>	d	d <sub>1</sub>	f	h <sub>1</sub>	D	E	ch	Weight 18.1-2	Weight 18.3
150	A-C	15	50,5	54	16,5	20	161	149,6	6	85	190	175	22	1,02 Kg.	1,72 Kg.

(dimensions in mm.)

F	CODE	DS 100		
		L	h	p
1/2" BSP M	41M	20	86	87

**cewal** UK LTD

Unit 4C • Woodhall Business Park • Sudbury • Suffolk • CO10 1WH  
 Tel: +44 (0) 1787 882038 • Fax: +44 (0) 1787 882039  
 Email: [info@cewal.co.uk](mailto:info@cewal.co.uk) • Website: [www.cewal.co.uk](http://www.cewal.co.uk)